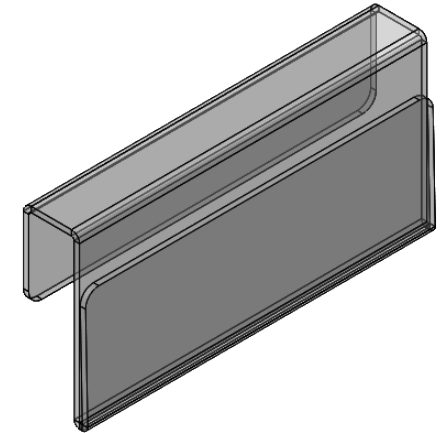
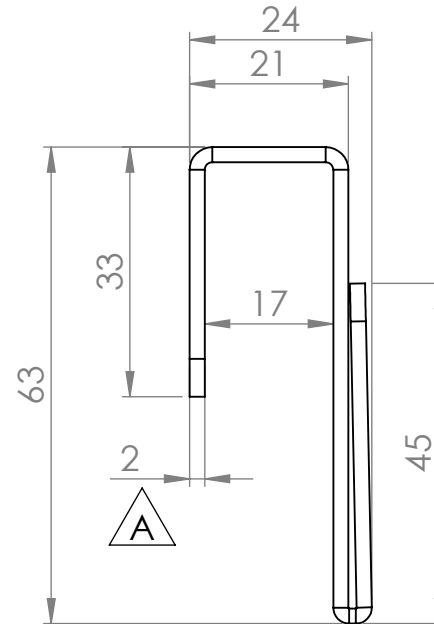
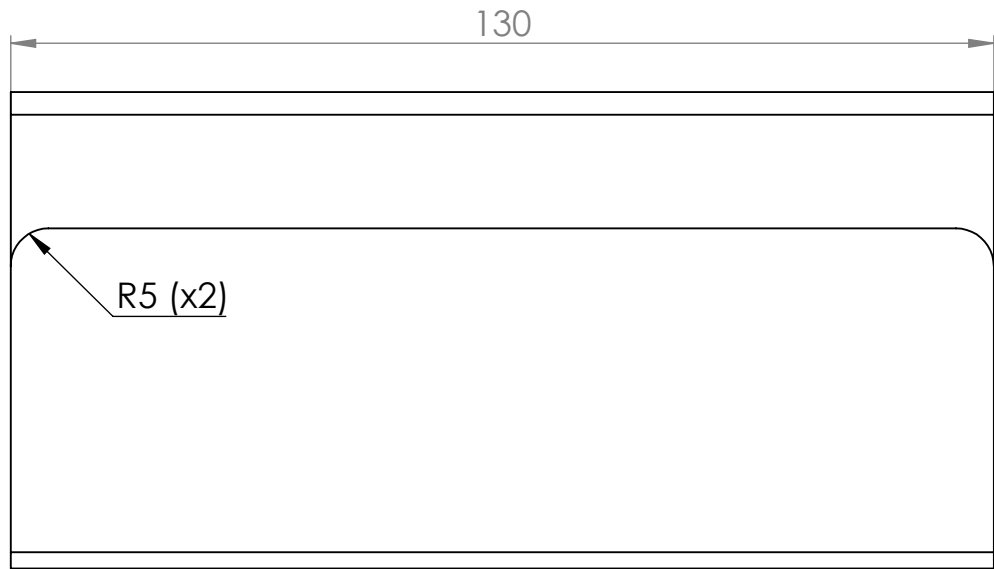


REVISIONS				
ZONE	REV.	DESCRIPTION	DATE	APPROVED
C3	A	Thickness changed from 3 mm to 2 mm	2020-12-08	



Art.nr. 637103		Name Name sign ScreenIT Standard transparent		
Last saved by <b>Jonathan</b>	Last saved <b>2020-12-08</b>	Material <b>PET</b>	Rev <b>A</b>	Format <b>A4</b>
Created by <b>Christian.G</b>	Created date <b>2011-12-27</b>		Scale <b>1:1</b>	Page <b>1/1</b>