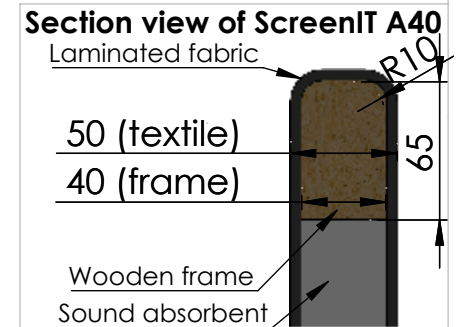
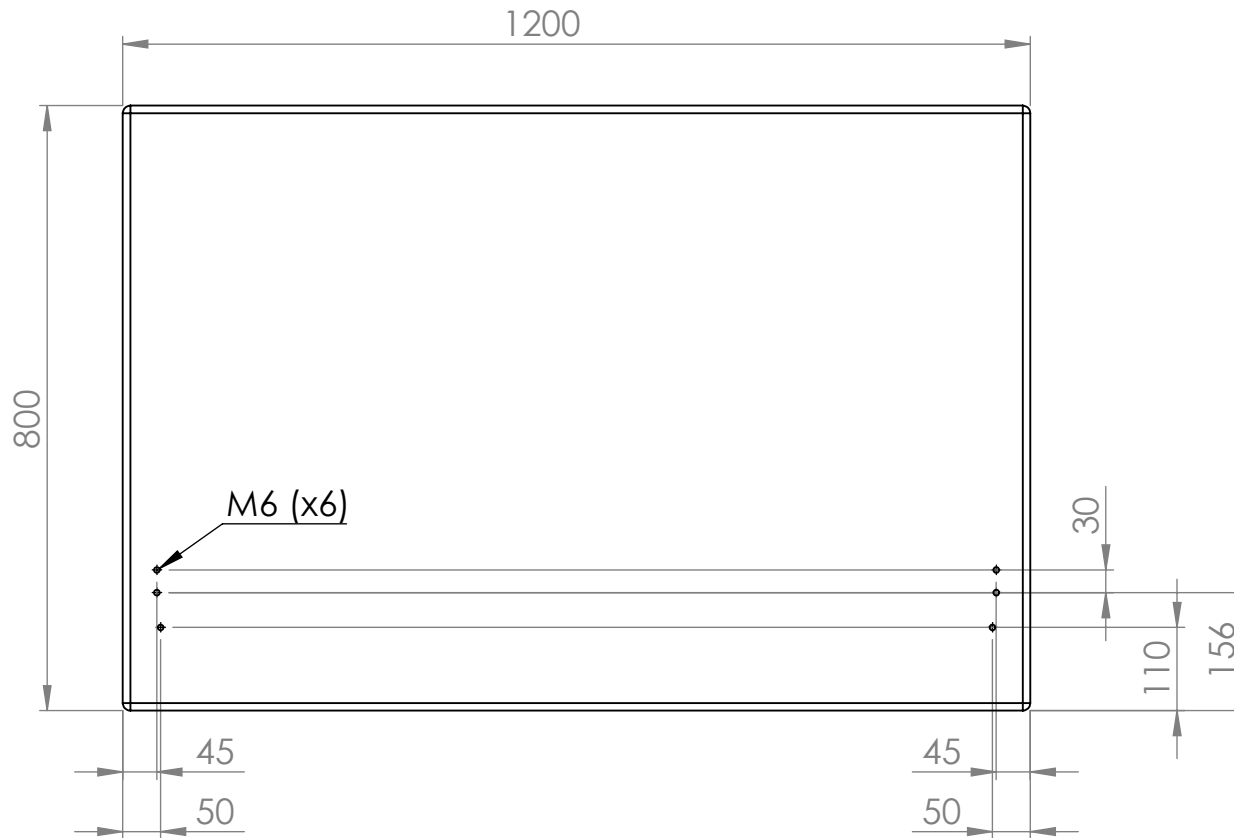


These measurements refer to the frame work
and do not include upholstery, seam or zip

| Tolerances (mm) | | | |
|-----------------|---|-----|-----------|
| Dimension | | | Deviation |
| (1) | - | 20 | ±0,2 |
| (20) | - | 50 | ±0,5 |
| (50) | - | 200 | ±1,0 |
| (200) | - | | ±2,0 |



| | | | | | | |
|----------|------|---------|------------|-----------|--|-----|
| Material | x | Art.nr. | 5064120 | Blad | 1/1 | A4 |
| Skala | 1:10 | Sign. | Tolle | Benämning | ScreenIT A40 1200x800 Straight corner | |
| | | Datum | 2016-10-05 | | | Rev |
| | | | | | | - |